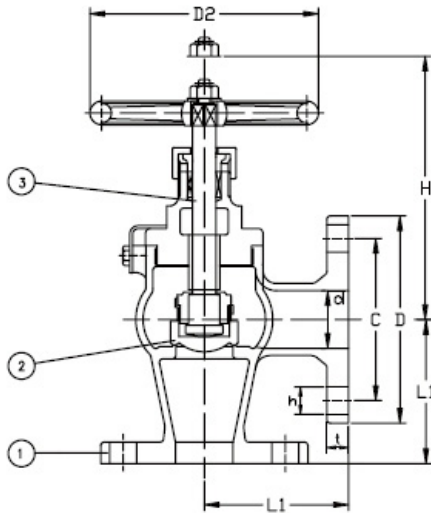




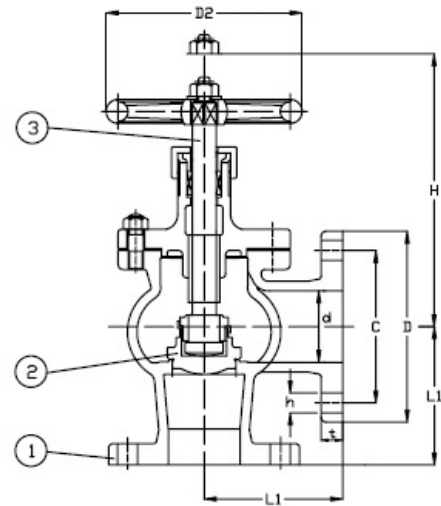
MARINE BRONZE 5K ANGLE VALVE (SDNR) - JIS F7352

MARINE BRONZE 16K ANGLE VALVE (SDNR) - JIS F7410

Manufactured in accordance to JIS F7400
Flanges as per JIS B2220 - 5K or 16K



Screwed Bonnet for sizes 15A-40A



Bolted Bonnet for sizes 50A-65A

No.	Component	Material
1	Body	Bronze
2	Disc	Bronze
3	Stem	Brass

Nominal Pressure		5K	16K
Hydraulic Inspection	Body	10.5kg	33kg
	Seat	7.7kg	24.2kg

Type	Size	L1	D	C	No.	h	t	H	D2	Kg
F7352 5K	15A	55	80	60	4	12	9	120	80	1.92
	20A	60	85	65	4	12	10	125	100	2.64
	25A	65	95	75	4	12	10	140	125	3.30
	32A	80	115	90	4	15	12	145	125	4.63
	40A	85	120	95	4	15	12	160	140	5.81
	50A	100	130	105	4	15	14	200	140	10.10
	65A	115	155	130	4	15	14	220	160	15.60
F7410 16K	15A	70	95	70	4	15	12	120	80	2.67
	20A	75	100	75	4	15	14	125	100	3.56
	25A	85	125	90	4	19	14	140	125	5.02
	32A	95	135	100	4	19	16	145	125	6.58
	40A	100	140	105	4	19	16	160	140	7.95